

角

形

Square Type

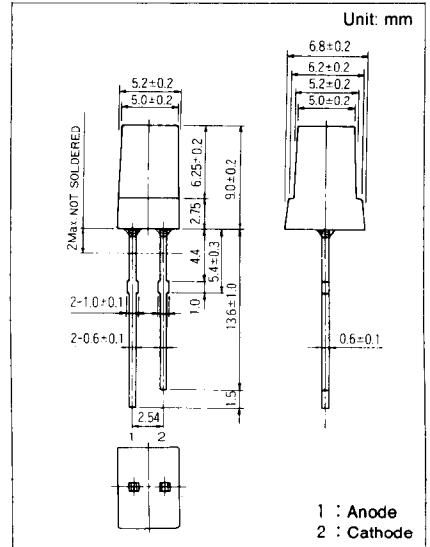
5.0mm×5.0mm Series

Type No.	Lighting Color
LN250RP	Red
LN350GP	Green
LN450YP	Amber
LN850RP	Orange

絶対最大定格 Absolute Maximum Ratings (Ta=25 °C)

Lighting Color	P _D (mW)	I _F (mA)	I _{FP} (mA)*	V _R (V)	T _{opr} (°C)	T _{stg} (°C)
Red	70	25	150	4	-25~+85	-30~+100
Green	90	30	150	4	-25~+85	-30~+100
Amber	90	30	150	4	-25~+85	-30~+100
Orange	90	30	150	3	-25~+85	-30~+100

* I_{FP}の条件は、duty 10%, Pulse width 1 msec. The condition of I_{FP} is duty 10%, Pulse width 1 msec



電気的光学的特性 Electro-Optical Characteristics (Ta=25 °C)

Type No.	Lighting Color	Lens Color	I ₀			V _F		λ _P		Δλ	I _R	
			Typ.	Min.	I _F	Typ.	Max.	Typ.	Typ.		I _F	Max.
LN250RP	Red	Red Diffused	0.4	0.15	15	2.2	2.8	700	100	20	5	4
LN350GP	Green	Green Diffused	2.0	0.75	20	2.2	2.8	565	30	20	10	4
LN450YP	Amber	Amber Diffused	1.5	0.60	20	2.2	2.8	590	30	20	10	4
LN850RP	Orange	Red Diffused	1.5	0.60	20	2.1	2.8	630	40	20	10	3
Unit	—	—	mcd	mcd	mA	V	V	nm	nm	mA	μA	V

